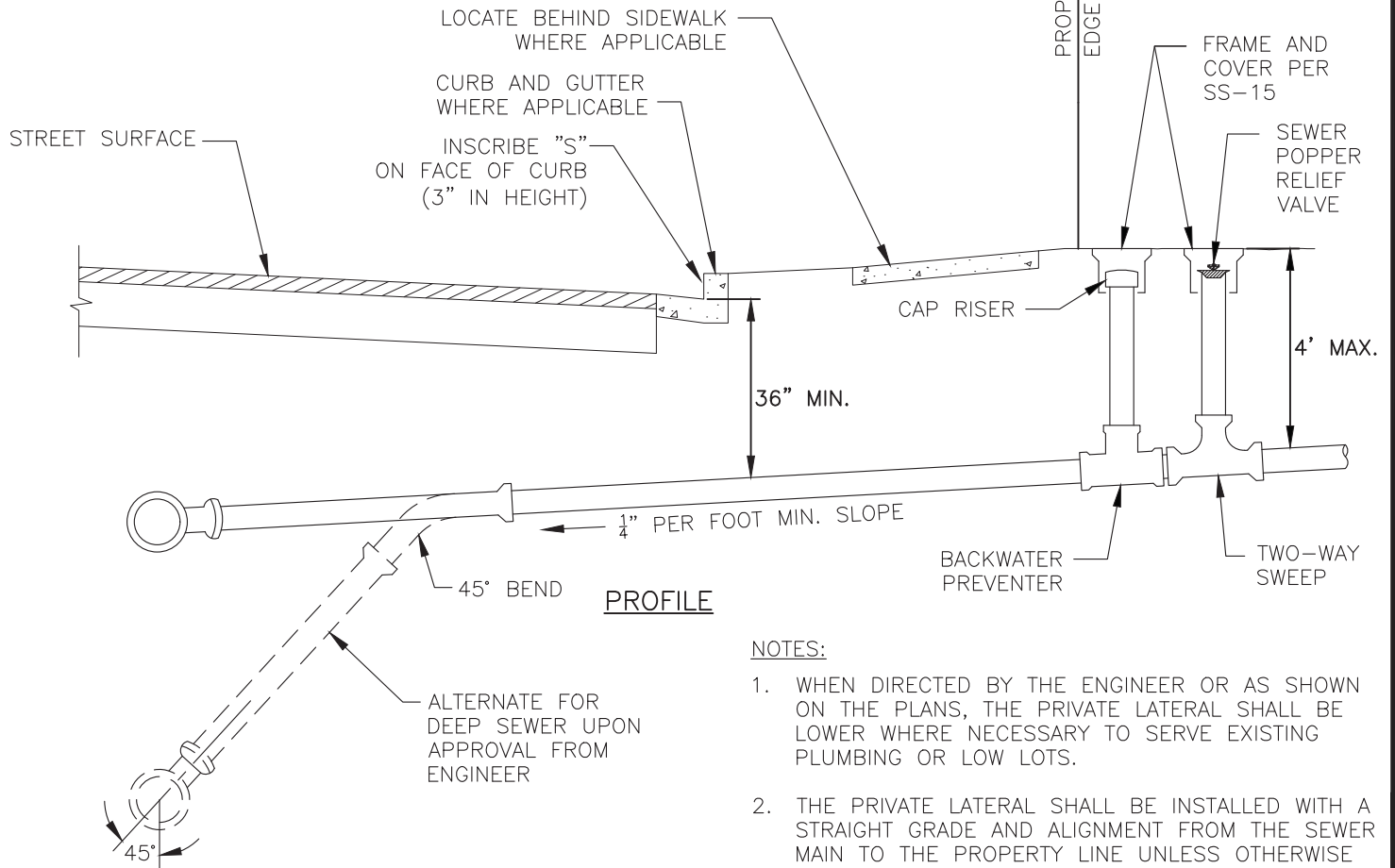


PLAN



PROFILE

NOTES:

1. WHEN DIRECTED BY THE ENGINEER OR AS SHOWN ON THE PLANS, THE PRIVATE LATERAL SHALL BE LOWER WHERE NECESSARY TO SERVE EXISTING PLUMBING OR LOW LOTS.
2. THE PRIVATE LATERAL SHALL BE INSTALLED WITH A STRAIGHT GRADE AND ALIGNMENT FROM THE SEWER MAIN TO THE PROPERTY LINE UNLESS OTHERWISE DIRECTED BY THE ENGINEER.

CARMEL AREA WASTEWATER DISTRICT

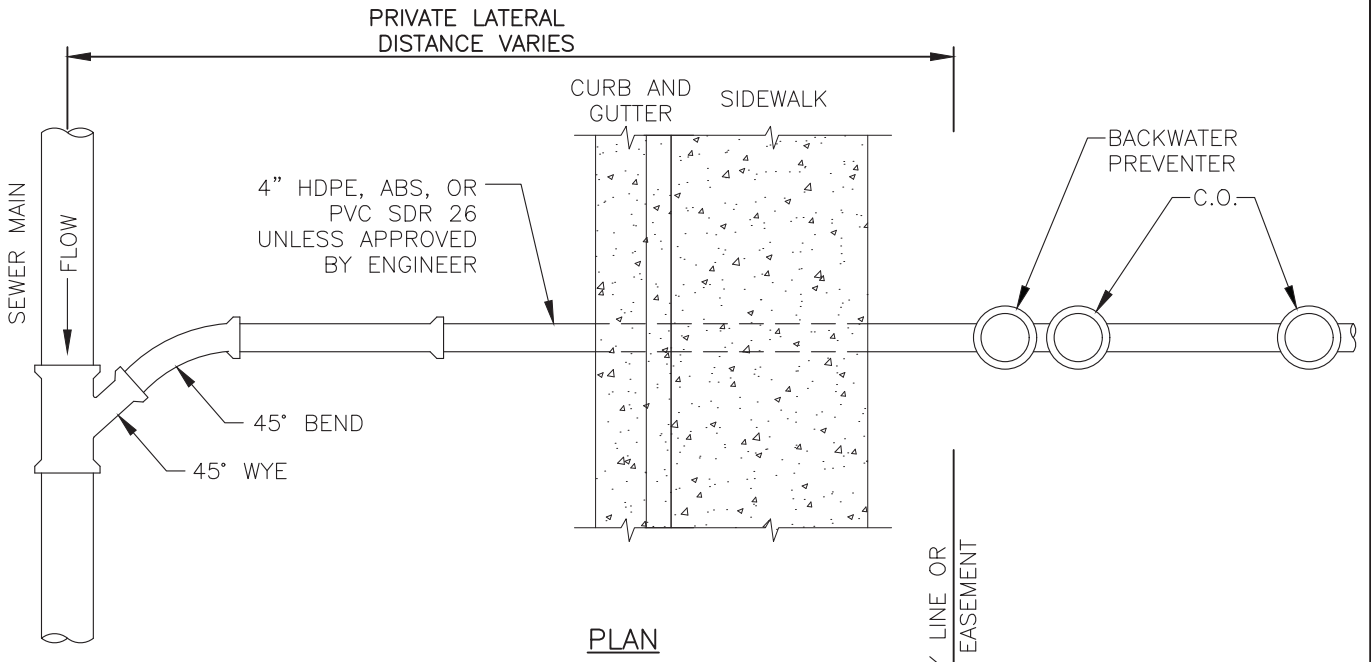


TITLE
**STANDARD RESIDENTIAL
 PRIVATE LATERAL
 UP TO 4' DEEP**

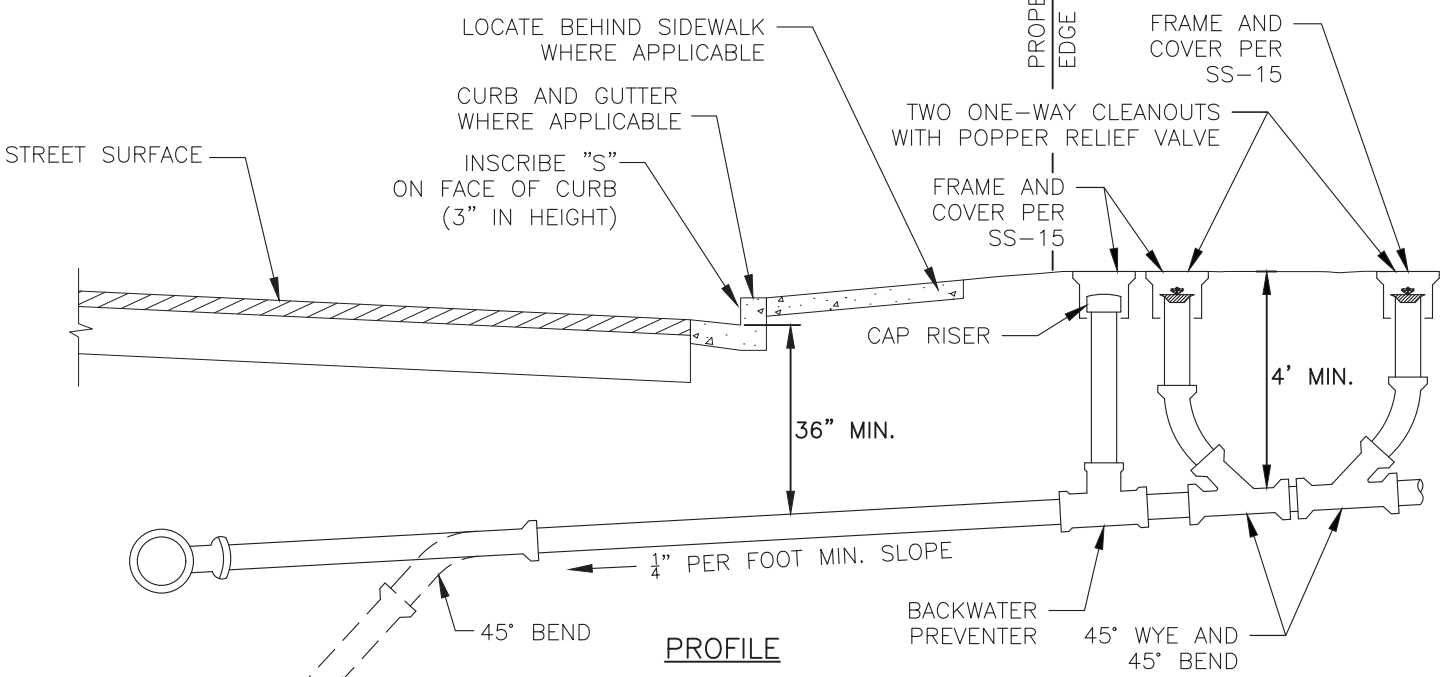
DATE: **JAN 2019**
 CHECKED BY: *John Pappas*
 APPROVED BY: *CP. Hatcher*
 SCALE: **NONE**

DRAWING NO.

SS-2



PLAN



PROFILE

NOTES:

1. WHEN DIRECTED BY THE ENGINEER OR AS SHOWN ON THE PLANS, THE PRIVATE LATERAL SHALL BE LOWER WHERE NECESSARY TO SERVE EXISTING PLUMBING OR LOW LOTS.
2. THE PRIVATE LATERAL SHALL BE INSTALLED WITH A STRAIGHT GRADE AND ALIGNMENT FROM THE SEWER MAIN TO THE PROPERTY LINE UNLESS OTHERWISE DIRECTED BY THE ENGINEER.

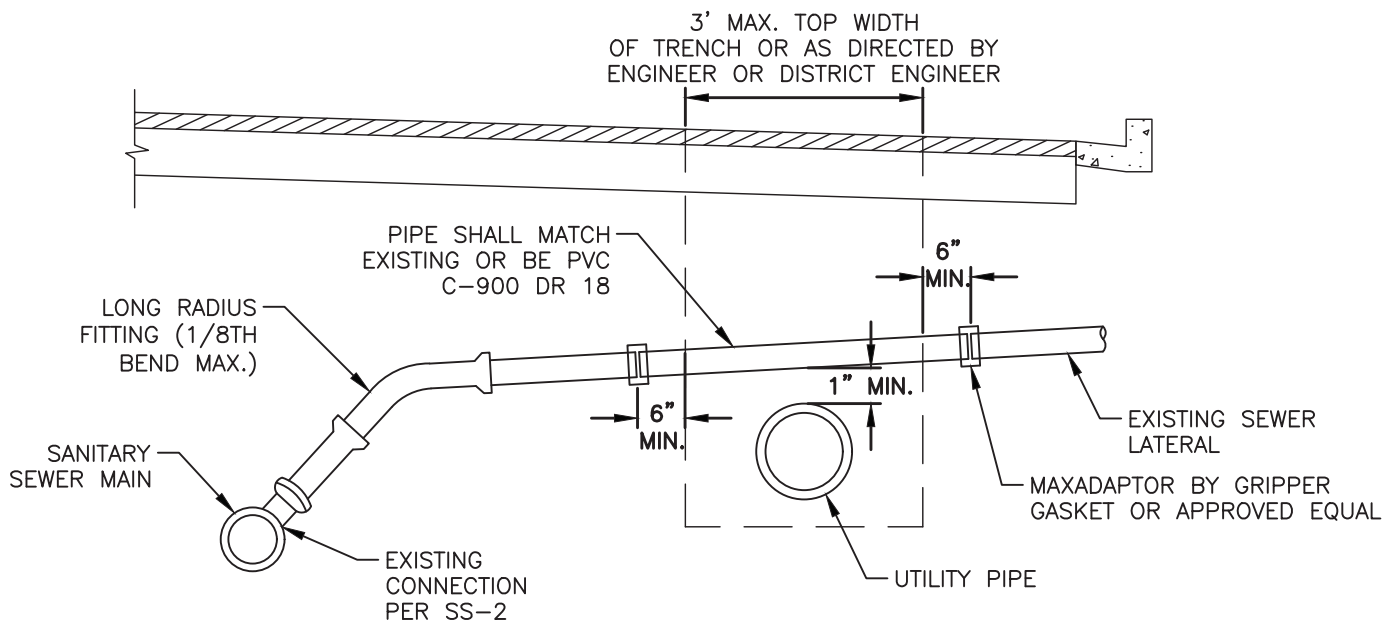
CARMEL AREA WASTEWATER DISTRICT



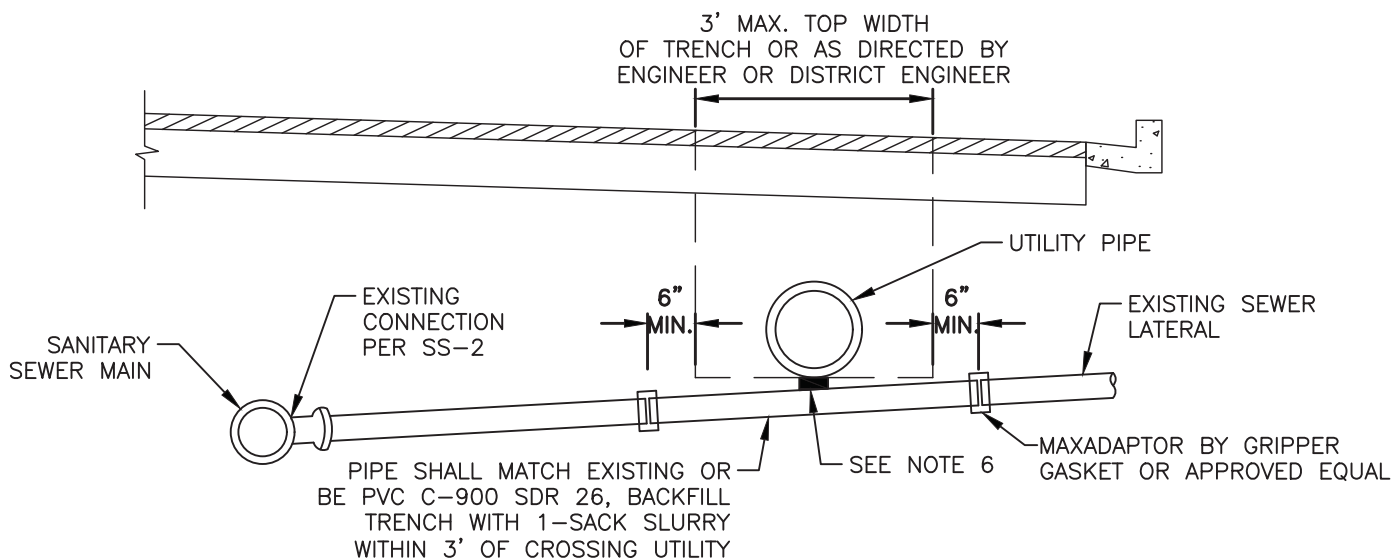
TITLE
**STANDARD RESIDENTIAL
 PRIVATE LATERAL
 DEEPER THAN 4'**

DATE: **JAN 2019**
 CHECKED BY: *[Signature]*
 APPROVED BY: *[Signature]*
 SCALE: **NONE**

DRAWING NO.
SS-3



TYPICAL LATERAL CROSSING OVER UTILITY (EXCLUDING WATER)



TYPICAL LATERAL CROSSING UNDER UTILITY (EXCLUDING WATER)

PROCEDURE:

1. TRIM LATERAL SEWER PIPE BACK TO A CLEAN CUT UNDAMAGED END, A MINIMUM OF 6" INTO TRENCH WALL.
2. CUT PIECE OF NEW PIPE OF EQUAL DIAMETER TO FIT SPACE BETWEEN TRIMMED ENDS WITH A MAXIMUM CLEARANCE OF 1/4 INCH AT EACH END.
3. REMOVE PIPE STOP RING FROM ONE COUPLING AND INSTALL THE COUPLING ON THE UPSTREAM END OF THE LATERAL SEWER, THEN PLACE ANOTHER COUPLING ON THE DOWNSTREAM END.
4. PLACE AN ADAPTOR RING OF THE PROPER SIZE ON EACH END OF THE PIPE REPLACEMENT SECTION, THEN INSERT ONE END IN THE COUPLING DOWNSTREAM CENTERING IT OVER THE JOINT, TIGHTEN COUPLING BANDS.
5. A SMALL AMOUNT OF LIGHT OIL WILL AID IN SLIDING UPSTREAM COUPLING.
6. WHEN O.D. OF PIPES ARE WITHIN 1 INCH OF EACH OTHER, PLACE A 4"x4" PAD OF 35-45 DUROMETER RUBBER SNUGLY BETWEEN THE PIPES.

NOTE: ALTERATIONS OF SEWER GRADES WILL BE PERMITTED ONLY AFTER WRITTEN PERMISSION HAS BEEN RECEIVED FROM THE DISTRICT ENGINEER.

CARMEL AREA WASTEWATER DISTRICT



TITLE

**SEWER LATERAL
CROSSING ABOVE UTILITY
NO CONFLICT IN GRADE**

DATE:

JAN 2019

DRAWING NO.

CHECKED BY:

John P. Pappas

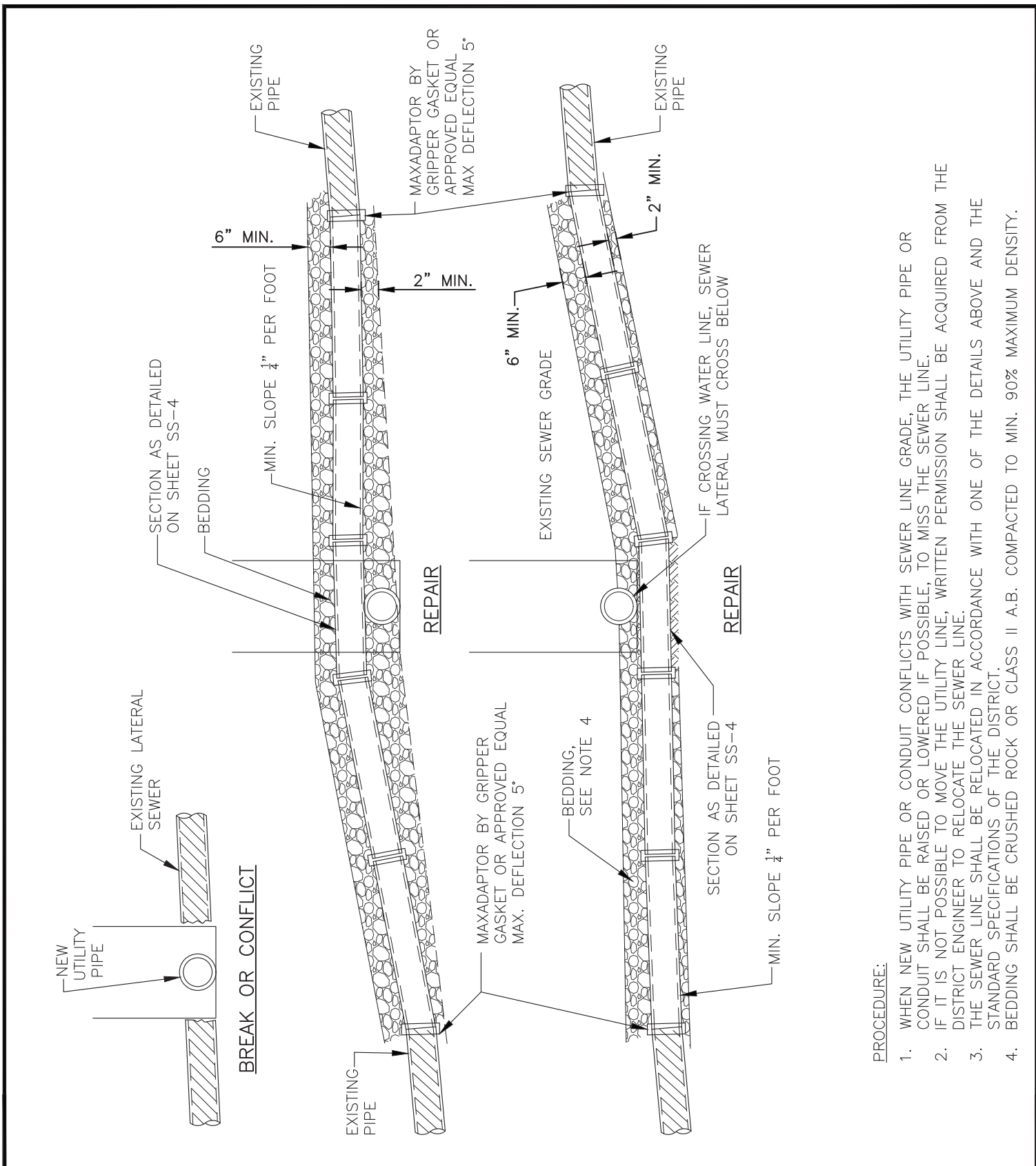
APPROVED BY:

W.P. Hatcher

SS-4

SCALE:

NONE



PROCEDURE:

1. WHEN NEW UTILITY PIPE OR CONDUIT CONFLICTS WITH SEWER LINE GRADE, THE UTILITY PIPE OR CONDUIT SHALL BE RAISED OR LOWERED IF POSSIBLE, TO MISS THE SEWER LINE.
2. IF IT IS NOT POSSIBLE TO MOVE THE UTILITY LINE, WRITTEN PERMISSION SHALL BE ACQUIRED FROM THE DISTRICT ENGINEER TO RELOCATE THE SEWER LINE.
3. THE SEWER LINE SHALL BE RELOCATED IN ACCORDANCE WITH ONE OF THE DETAILS ABOVE AND THE STANDARD SPECIFICATIONS OF THE DISTRICT.
4. BEDDING SHALL BE CRUSHED ROCK OR CLASS II A.B. COMPACTED TO MIN. 90% MAXIMUM DENSITY.

CARMEL AREA WASTEWATER DISTRICT



TITLE
**SIMPLE SEWER
 LATERAL BREAK
 WITH CONFLICT IN GRADE**

DATE: **JAN 2019**
 CHECKED BY: *John Pappas*
 APPROVED BY: *CP. Hatcher*
 SCALE: **NONE**

DRAWING NO.
SS-5